

TOTAL

One-Stop Tools Station

TOTAL

ELECTRIC SANDER

TF1301826



320W

Security instructions



Caution

Read all safety warnings and all instructions. Failure to follow all warnings and instructions can result in electric shock, fire, and / or serious injury.

The term “power tool” in the warnings refers to your mains-operated (corded) power tool or battery-operated (cordless) power tool.

Note: Save all warnings and instructions for future reference.

1) Work area safety

- a. Keep the work area clean and well lit to avoid accidents.
- b. Do not use power tools in explosive atmospheres, such as in the presence of flammable liquids, gases, or dust that can cause fires.
- c. Keep children and other unauthorized persons away while using a power tool. Distractions can cause you to lose control of the tool.

2) Electrical safety

- a. Power tool plugs must match the outlet. Never modify the plug in any way. Using a proper plug reduces the risk of electric shock.
- b. Avoid body contact with grounded surfaces such as pipes, radiators, ranges, and refrigerators. There is an increased risk of electric shock if your body is grounded.
- c. Do not expose power tools to rain or wet conditions. Water entering a power tool will increase the risk of electric shock.
- d. Never use the cord to carry, pull, or unplug the power tool. Keep the cord away from heat or oil.
- e. When using a power tool outdoors, use an extension cord suitable for outdoor use.
- f. If it is unavoidable to use the tool in a humid location, use a residual current device (RCD) protected supply to reduce the risk of electric shock.

3) Personal security

- a. Always be alert, watch what you are doing, and use common sense when operating the tool.
- b. Do not use a power tool if you are tired or under the influence of drugs or other substances.
- c. Use personal protective equipment. Always wear eye protection. Protective equipment such as a dust mask, non-slip safety shoes, hard hat, or hearing protection used in the right conditions will reduce personal injury. Also, do not wear loose clothing or jewelry.
- d. Avoid accidentally turning the tool on. Make sure the switch is in the off position before connecting it to the power supply and moving it.
- e. Remove any adjusting key or wrench before turning on the power tool. A wrench or wrench attached to a rotating part of the power tool can cause serious injury.
- f. If dust extraction and collection devices are used, make sure they are properly connected. Use these devices properly and you will reduce dust hazards.

- g. Harmful / toxic dusts such as lead painted surfaces, wood or metals can arise when sanding. It is important to take special care with inhaling them, as it can be a danger to the health of the user. Also, always have EPIS for the use of these types of tools.

4) Use and care of power tools

- a. Do not force the tool. Use the right power tool for each use.
- b. Do not use the power tool if its ignition switch does not work. Any power tool that cannot be controlled with the switch is dangerous and must be repaired.
- c. Disconnect the plug from the power source before making any adjustments, changing accessories, or storing the tool to avoid accidental starting.
- d. Use the power tool, accessories and drill bits, etc. in accordance with these instructions, taking into account the working conditions and the work to be carried out. Using the power tool for operations other than those intended could result in a dangerous situation.
- e. Store power tools out of the reach of children and do not allow anyone unfamiliar with the tool to use it.
- f. Carry out regular maintenance on power tools. Check for misalignment or binding of moving parts, broken parts, and any other conditions that may affect the operation of power tools. If damaged, have power tool repaired before use. Many accidents are caused by poorly maintained power tools.
- g. Keep accessories clean and sharp, as with proper maintenance they are less likely to get stuck and are easier to control.

5) Service

- a. Have your power tool repaired by a qualified person and use replacement parts recommended by the manufacturer. This will ensure that the safety of the power tool is maintained.

Safety rules for correct use



Double insulation for additional protection



Read the instruction manual before use.



CE conformity.



Wear safety glasses, hearing protection and a dust mask.



Waste electrical products must not be disposed of with household waste. Please recycle at the appropriate facilities. Check with your local authority or retailer for recycling advice.



Security alert. Use only accessories approved by the manufacturer.

Other risks

Even when the power tool is used as prescribed, it is not possible to eliminate all residual risk factors:

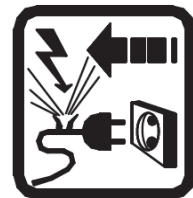
- a. Health defects resulting from the emission of vibrations if the power tool is used for a longer period of time or if it is not properly managed and maintained.
- b. Injury and property damage from broken accessories suddenly breaking.



Caution

This power tool produces an electromagnetic field during operation. This field can, in some circumstances, interfere with active or passive medical implants.

To reduce the risk of serious injury, we recommend that individuals with medical implants consult their physician before using this power tool.



If the cord is damaged or cut during work, do not touch the cord, immediately unplug the tool. Never use the machine with a damaged cord.

The machine must not be damp and must not be used in a humid environment.



Attention

Safe working with this machine is only possible when the operating or safety information is fully read and the instructions contained therein are strictly followed.



Technical data

Data sheet	
Power	320W
Voltage	220-240V ~ 50 / 60Hz
No-load speed	14000 / min
Base size	180x90mm
It includes	5 sandpaper (P120 and P80) 1 set of carbon brushes

Product description



1. Sandpaper clamping system
2. Aluminum sanding plate
3. Housing

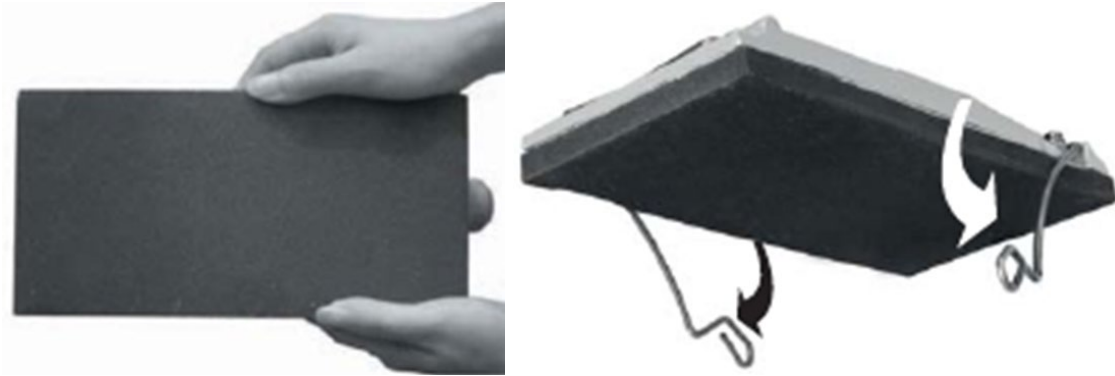
Note: Not all accessories illustrated or described have to be included in the standard delivery.

Start up

Sandpaper placement

- Lay the sandpaper on the base.
- Raise the sanding paper retention clips to the open position
- Insert one end of the sandpaper under the retaining clip.

Note: Make sure that the sandpaper is level with the edges and that the dust collection holes on the base and sandpaper are aligned and that the sandpaper is taut on the base.



Set up

On / off switch

- Power on: press the ON / OFF switch
- Power off: release the ON / OFF switch

Lock button switch

If you want to use the tool continuously, the lock button can be pressed after pressing the trigger.

- Press the on / off switch (1)
- Then press the lock button (2)
- Release the on / off switch first and the lock button second. The switch is now locked for continuous use.
- To turn the tool off, simply press and release the on / off switch.



Maintenance and troubleshooting

Maintenance

- Remove the plug from the outlet before performing any adjustment, service or maintenance.
- Your power tool does not require additional lubrication or maintenance.
- There are no user serviceable parts in your power tool.
- Never use water or chemical cleaners to clean your power tool. Clean with a dry towel.
- Always store your power tool in a dry place. Keep the motor's ventilation slots clean.
- Keep all work controls free of dust.
- Occasionally, you may see small sparks coming through the ventilation slots. This is normal and will not damage your power tool.
- If the power cord is damaged, it must be replaced by the manufacturer or authorized dealer to avoid damage and danger.

Problem solving

1. If your sander does not work, check the power at the wall socket.
2. If the sander does not wear the surface, check the condition of the sandpaper. If the sandpaper has worn, replace the new paper and try again. The paper should be kept in a dry place, if it is allowed to get wet, the abrasive particles will lose their adherence to the backing paper.
3. If the sander does not move smoothly, the sandpaper may be loose, damaged, or wrinkled. Replace it and try again.
4. If the problem cannot be rectified, contact an authorized official dealer for repair.

Environment

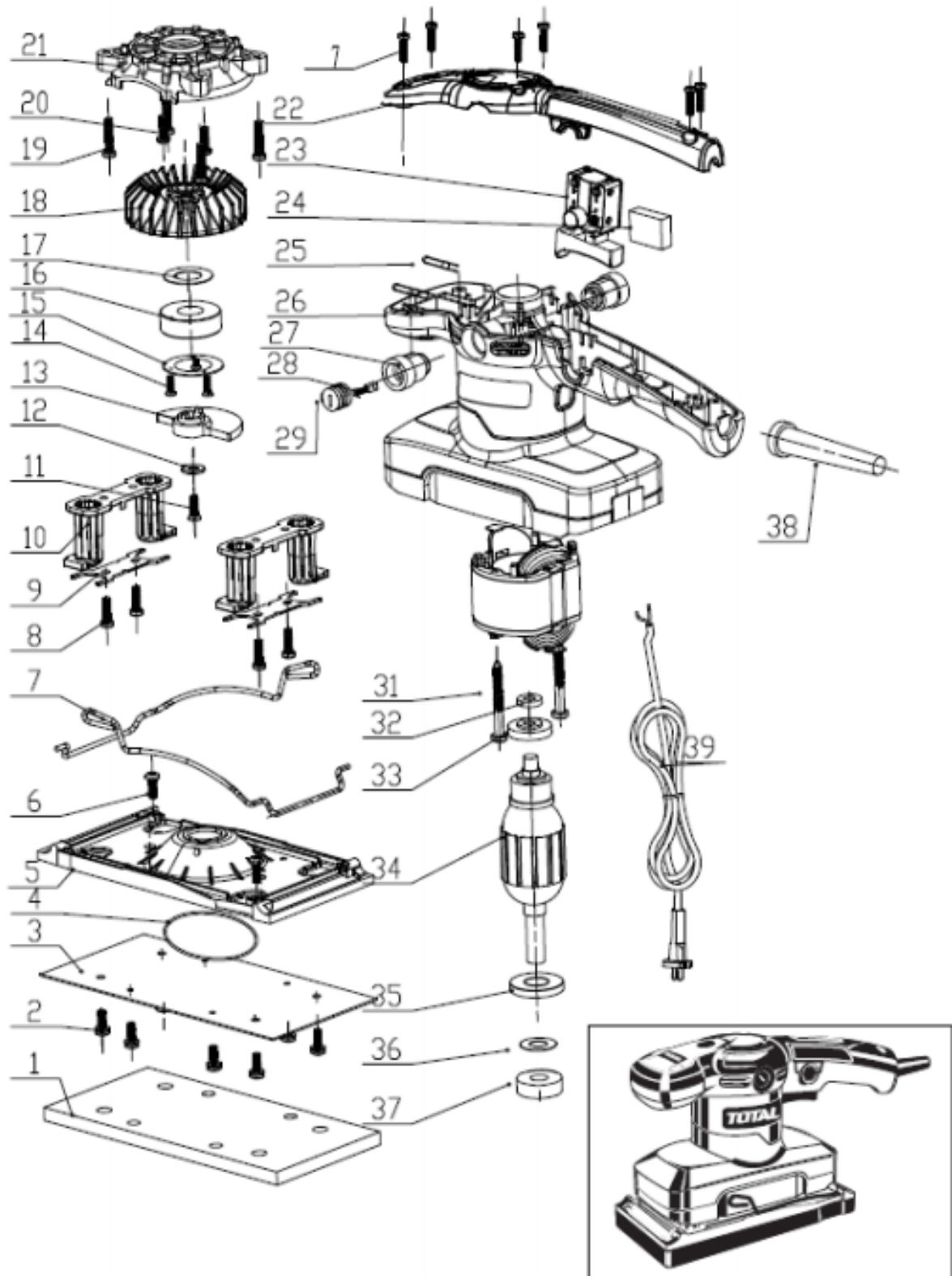


- Do not dispose of electrical appliances as unsorted municipal waste, use separate collection facilities.
- Contact your local authority for information on available collection systems.
- If electrical appliances are disposed of in landfills, hazardous substances can seep into groundwater and enter the food chain, damaging your health and well-being.
- Recycle raw materials instead of disposing of them as waste.
- The machine, accessories and packaging must be classified for environmentally friendly recycling.

Exploded view



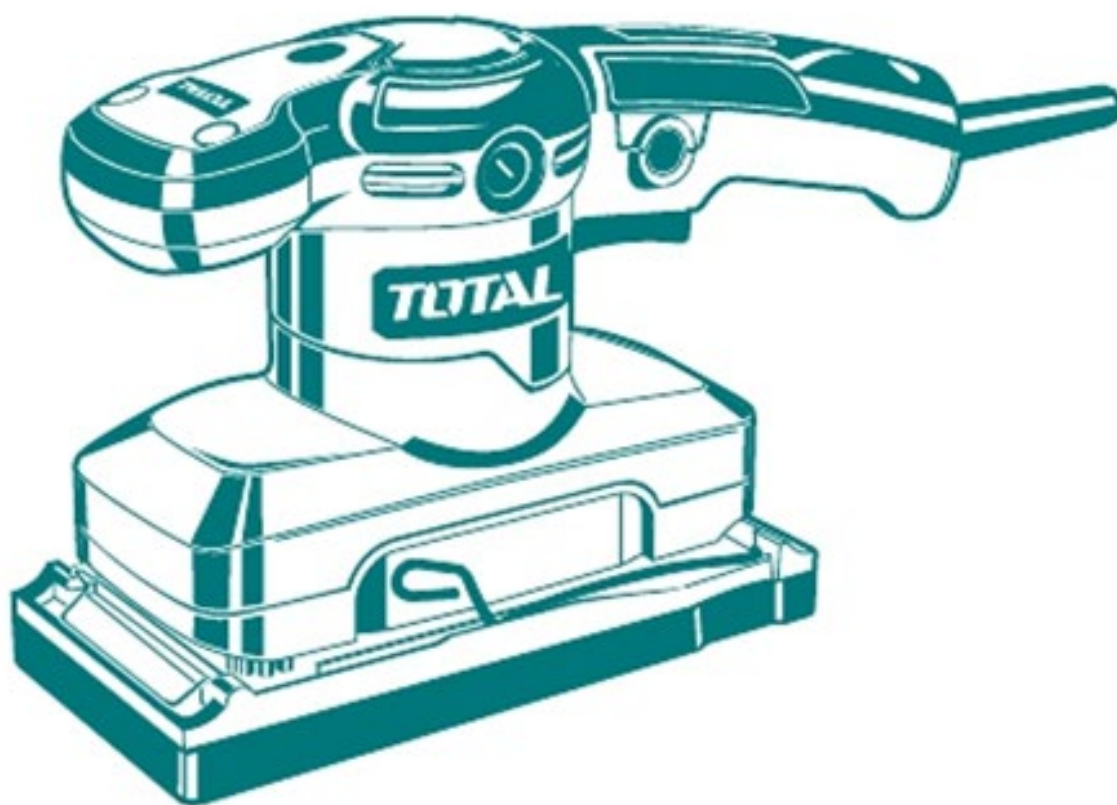
TF1301826



TOTAL

One-Stop Tools Station

TOTAL



ELECTRIC SANDER

320W